



A formula for hidden regular variation behavior for symmetric stable distributions

Downloaded from: <https://research.chalmers.se>, 2026-04-04 14:09 UTC

Citation for the original published paper (version of record):

Palö Forsström, M., Steif, J. (2020). A formula for hidden regular variation behavior for symmetric stable distributions. *Extremes*, 23(4): 667-691. <http://dx.doi.org/10.1007/s10687-020-00381-4>

N.B. When citing this work, cite the original published paper.

A formula for hidden regular variation behavior for symmetric stable distributions

Malin Palö Forsström * Jeffrey E. Steif †

October 22, 2019

Abstract

We develop a formula for the power-law decay of various sets for symmetric stable random vectors in terms of how many vectors from the support of the corresponding spectral measure are needed to enter the set. One sees different decay rates in “different directions”, illustrating the phenomenon of *hidden regular variation*. We give several examples and obtain quite varied behavior, including sets which do not have exact power-law decay.

Keywords and phrases. Hidden regular variation, multivariate stable distributions.

MSC 2010 subject classifications. Primary 60E07, 60G70

1 Main result and remarks

Many distributions have tails that exhibit regular variation (see [2] and [8]) which means that they behave like a power-law times a slowly varying function. Examples are one-dimensional stable distributions where the slowly varying function is just constant. For stable random vectors, one also has this but in addition, one can have more interesting behavior, so-called *hidden regular variation* (see [9] and [10]), meaning that one has different power-law decay in different directions. Ideally, one would like to capture the correct decay rate in each such direction. Our main result, Theorem 1.1, describes such behavior for symmetric stable distributions. Needed definitions and background will be given in Section 2.

Let $\alpha \in (0, 2)$ and X be an n -dimensional symmetric α -stable random vector with spectral measure Λ . Let $E \subseteq \mathbb{R}^n$ be a Borel set with $\mathbf{0} \notin \bar{E}$, where \bar{E} and E° denote the closure and interior of E respectively. With d being the Euclidean distance, define the δ -neighborhood of E by

$$E_{\delta,+} := \{\mathbf{x} \in \mathbb{R}^n : d(\mathbf{x}, E) < \delta\}.$$

*Chalmers University of Technology and Gothenburg University, Gothenburg, Sweden and KTH Royal Institute of Technology, Stockholm, Sweden. Email: malinpf@kth.se

†Chalmers University of Technology and Gothenburg University, Gothenburg, Sweden. Email: steif@chalmers.se

For any integer $k \geq 1$ and any E as above, letting C_α be a constant defined in Section 2, define

$$I_1(E, k, \alpha) := \frac{C_\alpha^k}{k!} \int_0^\infty \cdots \int_0^\infty \Lambda^k \left(\left\{ \mathbf{x}_1, \dots, \mathbf{x}_k \in \mathbb{S}^{n-1} : \sum_{i=1}^k s_i \mathbf{x}_i \in E^o \right\} \right) \cdot \prod_{i=1}^k \alpha s_i^{-(1+\alpha)} ds_i \quad (1)$$

$$I_2(E, k, \alpha) := \frac{C_\alpha^k}{k!} \int_0^\infty \cdots \int_0^\infty \Lambda^k \left(\left\{ \mathbf{x}_1, \dots, \mathbf{x}_k \in \mathbb{S}^{n-1} : \sum_{i=1}^k s_i \mathbf{x}_i \in \bar{E} \right\} \right) \cdot \prod_{i=1}^k \alpha s_i^{-(1+\alpha)} ds_i \quad (2)$$

and

$$I_3(E, k, \alpha) := \lim_{\delta \rightarrow 0} \frac{C_\alpha^k}{k!} \int_0^\infty \cdots \int_0^\infty \Lambda^k \left(\left\{ \mathbf{x}_1, \dots, \mathbf{x}_k \in \mathbb{S}^{n-1} : \sum_{i=1}^k s_i \mathbf{x}_i \in E_{\delta,+} \right\} \right) \cdot \prod_{i=1}^k \alpha s_i^{-(1+\alpha)} ds_i. \quad (3)$$

We let $I_\delta(E, k, \alpha)$ denote the expression inside the last limit in (3).

Theorem 1.1. *For any X , E and k as above,*

$$I_1(E, k, \alpha) \leq \liminf_{h \rightarrow \infty} h^{k\alpha} P(X \in hE) \leq \limsup_{h \rightarrow \infty} h^{k\alpha} P(X \in hE) \leq I_3(E, k, \alpha). \quad (4)$$

Remarks 1.2.

- Clearly $I_1(E, k, \alpha) \leq I_2(E, k, \alpha) \leq I_3(E, k, \alpha)$. Also, by the Lebesgue dominated convergence theorem, $I_2(E, k, \alpha) = I_3(E, k, \alpha)$ provided that $I_\delta(E, k, \alpha)$ is finite for some $\delta > 0$.
- Since $0 \notin \bar{E}$, for small $\delta > 0$ and $s_1 > 0$ we have that $s_1 \mathbb{S}^{n-1} \cap E_{\delta,+} = \emptyset$. This implies in particular that the integrand in (3) is equal to zero for small δ and s_1 , removing the singularity at $s_1 = 0$, and hence $I_3(E, 1, \alpha)$ is always finite.
- Taking E to be the set $\{\mathbf{x} \in \mathbb{R}^n : \min x_i > 1\}$ and $k = 1$, one obtains Theorem 4.4.1 in [11] in the symmetric case (see equation (4.4.2) in [11]).
- If we let

$$E := \text{Cone}(A) := \{\mathbf{x} \in \mathbb{R}^n : \|\mathbf{x}\|_2 > 1 \text{ and } \mathbf{x}/\|\mathbf{x}\|_2 \in A\}$$

for some $A \subseteq \mathbb{S}^{n-1}$ with

$$\Lambda(\partial A) = 0,$$

and then apply Theorem 1.1 to both E and to the complement of the unit ball with $k = 1$, we recover Corollary 6.20 in [1] in the symmetric case, stating that

$$\lim_{h \rightarrow \infty} \frac{P(X \in \text{Cone}(A), \|X\|_2 > h)}{P(\|X\|_2 > h)} = \frac{\Lambda(A)}{\Lambda(\mathbb{S}^{n-1})}. \quad (5)$$

- When the spectral measure Λ of X is finitely supported, some asymptotic behavior of the corresponding probability density function $f(x)$ in different directions is obtained in [7]. However, since the convergence in this case is not known to be uniform, this cannot be used to get a version of Theorem 1.1 for finitely supported Λ .
- Our motivation for looking at Theorem 1.1 and its consequences (see Section 4) was to understand which threshold stable vectors can be obtained as divide and color processes in the sense of [12]. These applications, as well as a study of which threshold Gaussian vectors can be obtained as divide and color processes, will be carried out in [5].
- One might guess that Theorem 1.1 would generalize to regularly varying random vectors $X \in RV(\alpha, \Theta)$ (see e.g. Proposition 2.2.20 on p. 57 in [8]). This is however not the case. To see this, let $\alpha \in (0, 2)$ and let X_1 be an α -stable random vector in \mathbb{R}^2 whose spectral measure Λ_1 has mass $1/4$ at $\pm(1, 0)$ and $\pm(0, 1)$. Further, let $\alpha' \in (\alpha, 2\alpha)$ and let X_2 be an α' -stable random vector in \mathbb{R}^2 with uniform spectral measure independent of X_1 . Then it is easy to see that both X_1 and $X_1 + X_2$ are in $RV(\alpha, \Lambda_1)$. However, if we let $E := \text{Cone}(\pi/8, 3\pi/8)$, then using Theorem 1.1 one easily obtains $P(X_1 \in hE) \asymp h^{-2\alpha}$ while, letting $E' := \text{Cone}((\pi/8) + .001, (3\pi/8) - .001)$, we have for h large

$$2P(X_1 + X_2 \in hE) \geq P(X_2 \in hE') \asymp h^{-\alpha'} \gg h^{-2\alpha}.$$

2 Background

We now give some relevant definitions. These will be very brief as we assume the reader is familiar with the basics of stable vectors. For a more thorough introduction to stable random vectors, we refer the reader to [11].

Definition 2.1. A random vector $X := (X_i)_{1 \leq i \leq n}$ in \mathbb{R}^n has a symmetric *stable* distribution if X is symmetric (invariant under $\mathbf{x} \mapsto -\mathbf{x}$) and if for all $k \geq 1$, there exists $a_k > 0$ so that if X^1, \dots, X^k are k i.i.d. copies of X , then

$$\sum_{1 \leq i \leq k} X^i \stackrel{\mathcal{D}}{=} a_k X.$$

It is well known that for any symmetric stable vector X there exists $\alpha \in (0, 2]$, called the stability index, so that for all $k \geq 1$, $a_k = k^{1/\alpha}$. The stability index $\alpha = 2$ corresponds to Gaussian random vectors. If $n = 1$, then besides α , there is only one parameter, the scale parameter σ , and in this case the characteristic function $\phi_X(\theta)$ is given by

$$\phi_X(\theta) = e^{-\sigma^\alpha |\theta|^\alpha}, \quad \theta \in \mathbb{R}.$$

(When $\alpha = 2$, σ corresponds to the standard deviation divided by $\sqrt{2}$, an irrelevant scaling.) When $\sigma = 1$, we denote this distribution by S_α . For stable vectors, the picture is somewhat more complicated. A random vector X in \mathbb{R}^n has a symmetric stable distribution with stability exponent α if and only if its characteristic function $\phi_X(\theta)$ has the form

$$\phi_X(\theta) = \exp\left(-\int_{\mathbb{S}^{n-1}} |\theta \cdot \mathbf{x}|^\alpha d\Lambda(\mathbf{x})\right), \quad \theta \in \mathbb{R}^n \quad (6)$$

for some finite measure Λ on the unit sphere \mathbb{S}^{n-1} which is invariant under $\mathbf{x} \mapsto -\mathbf{x}$. Λ is called the *spectral measure* of X . If (6) holds for some α and Λ , we write $X \sim S_\alpha(\Lambda)$. For $\alpha \in (0, 2)$ fixed, different Λ 's yield different distributions. This is not true for $\alpha = 2$.

When S_1, S_2, \dots, S_m are i.i.d. random variables with distribution S_α , $S := (S_1, \dots, S_m)$, and A is an $n \times m$ matrix, then the vector $X := (X_1, \dots, X_n)$ defined by

$$X := AS$$

is a symmetric α -stable random vector. To describe the spectral measure of X , consider the columns of A as elements of \mathbb{R}^n , denoted by $\hat{\mathbf{y}}_1, \dots, \hat{\mathbf{y}}_m$. Then Λ is obtained by placing, for each $i \in [m]$, a mass of weight $\|\hat{\mathbf{y}}_i\|_2^\alpha/2$ at $\pm\hat{\mathbf{y}}_i/\|\hat{\mathbf{y}}_i\|_2$. See p. 69 in [11].

Finally, we need the following facts. If $X \sim S_\alpha$, then

$$P(X \geq h) \sim \frac{C_\alpha h^{-\alpha}}{2} \quad \text{as } h \rightarrow \infty \quad (7)$$

where there is an exact formula for C_α ; see e.g. page 17 in [11]. The exact formula for this constant will not be relevant to us and so we will express quantities in terms of C_α . Moreover, if we let f denote the probability density function of X , then

$$f(h) \sim \frac{C_\alpha \alpha h^{-(1+\alpha)}}{2} \quad \text{as } h \rightarrow \infty; \quad (8)$$

see [4]. Also, $f(x)$ is decreasing in x for $x > 0$; see Theorem 2.7.4 on page 128 in [13].

3 Proof of Theorem 1.1

The proof of Theorem 1.1 is somewhat simpler in the case when the spectral measure is finitely supported in addition to being symmetric. We therefore first give a proof in this simpler setting, which is also sufficient for the examples covered in Section 4.

Proof of Theorem 1.1 for symmetric and finitely supported spectral measures.

Suppose that Λ is symmetric and has support in $\pm\mathbf{y}_1, \dots, \pm\mathbf{y}_m \in \mathbb{S}^{n-1}$. For $i = 1, 2, \dots, m$, let $\hat{\mathbf{y}}_i := (2\Lambda(\mathbf{y}_i))^{1/\alpha}\mathbf{y}_i$ and let $S_1, S_2, \dots, S_m \sim S_\alpha$ be i.i.d. Then we have (see Section 2) that

$$X = (X_1, X_2, \dots, X_n) \stackrel{\mathcal{D}}{=} \hat{\mathbf{y}}_1 S_1 + \dots + \hat{\mathbf{y}}_m S_m.$$

The rest of the proof will be divided into two steps. In the first step, we give a proof under the additional assumption that

$$\forall (s_1, \dots, s_m) \in \mathbb{R}^m: \sum_{i=1}^m s_i \hat{\mathbf{y}}_i \in \bar{E} \Rightarrow |\{i \in [m]: s_i \neq 0\}| \geq k. \quad (9)$$

In the second step, we show that this additional assumption can be removed.

Step 1. Assume that (9) holds. Given this assumption, we make the following observations.

(O1) The assumption on \bar{E} in (9) implies that there is $\varepsilon_0 > 0$ such that if s_1, s_2, \dots, s_m are such that $\sum_{i=1}^m s_i \hat{\mathbf{y}}_i \in \bar{E}$, then there is a set $I \subseteq [m]$, with $|I| \geq k$, such that $|s_i| > \varepsilon_0$ for all $i \in I$.

(O2) It follows from the previous observation and (7) that

$$P(X \in h\bar{E}) = O(h^{-k\alpha}). \quad (10)$$

(O3) For any $\varepsilon' > 0$,

$$P\left[|\{i \in [m]: |S_i| > \varepsilon' h\}| > k\right] = o(h^{-\alpha k}).$$

For each $\delta > 0$, recall

$$E_{\delta,+} = \{\mathbf{x} \in \mathbb{R}^n: d(\mathbf{x}, E) < \delta\}$$

and define

$$E_{\delta,-} := \{\mathbf{x} \in E: d(x, \partial E) > \delta\}.$$

Using the observations above, it follows that for any $\varepsilon' \in (0, \varepsilon_0)$

$$P(X \in hE) = \sum_{I \subseteq [m]: |I|=k} P\left[X \in hE \text{ and } \forall i \in [m] \setminus I: |S_i| \leq \varepsilon' h\right] + o(h^{-k\alpha}).$$

Fix $\delta > 0$ arbitrarily and set $\varepsilon' = \varepsilon_0 \wedge (\delta / ((m-k) \sup_{i \in [m]} \|\hat{\mathbf{y}}_i\|_2))$. Note that for each set I , the event in question implies that $|S_i| \leq \delta h / ((m-k) \sup_{i \in [m]} \|\hat{\mathbf{y}}_i\|_2)$ for all $i \in [m] \setminus I$, which in turn implies that $\|\sum_{i \in [m] \setminus I} S_i \hat{\mathbf{y}}_i\|_2 \leq \delta h$. Hence the previous equation can be bounded from below by

$$\begin{aligned} & \sum_{I \subseteq [m]: |I|=k} P\left[\sum_{i \in I} S_i \hat{\mathbf{y}}_i \in hE_{\delta,-}, \text{ and } \forall i \in [m] \setminus I: |S_i| \leq \varepsilon' h\right] + o(h^{-k\alpha}) \\ & \geq \sum_{I \subseteq [m]: |I|=k} P\left[\sum_{i \in I} S_i \hat{\mathbf{y}}_i \in hE_{\delta,-}\right] + o(h^{-k\alpha}). \end{aligned}$$

Let f denote the common probability density function of S_1, S_2, \dots, S_m . By (O1), we have that for a fixed set I of size k ,

$$P\left[\sum_{i \in I} S_i \hat{\mathbf{y}}_i \in hE_{\delta,-}\right] = \int_{\substack{s_1, \dots, s_k \in \mathbb{R}: \\ |s_1|, \dots, |s_k| > \varepsilon_0 h}} I\left(\sum_{i \in I} s_i \hat{\mathbf{y}}_i \in hE_{\delta,-}\right) \prod_{i \in I} f(s_i) ds_i.$$

Using first (8) and then (O1), it follows that

$$\begin{aligned} P\left[\sum_{i \in I} S_i \hat{\mathbf{y}}_i \in hE_{\delta,-}\right] & \sim \frac{C_\alpha^k}{2^k} \int_{\substack{s_1, \dots, s_k \in \mathbb{R}: \\ |s_1|, \dots, |s_k| > \varepsilon_0 h}} I\left(\sum_{i \in I} s_i \hat{\mathbf{y}}_i \in hE_{\delta,-}\right) \prod_{i \in I} \alpha s_i^{-(1+\alpha)} ds_i \\ & = \frac{C_\alpha^k}{2^k} \int_{\mathbb{R}^k} I\left(\sum_{i \in I} s_i \hat{\mathbf{y}}_i \in hE_{\delta,-}\right) \prod_{i \in I} \alpha s_i^{-(1+\alpha)} ds_i. \end{aligned}$$

Making the change of variables $(2\Lambda(\mathbf{y}_i))^{1/\alpha} s_i/h \mapsto s_i$, we obtain

$$\begin{aligned} & \frac{C_\alpha^k}{2^k} \cdot \left[\prod_{i \in I} 2\Lambda(\mathbf{y}_i) h^{-\alpha} \right] \int_{\mathbb{R}^k} I\left(\sum_{i \in I} s_i \mathbf{y}_i \in E_{\delta, -}\right) \prod_{i \in I} \alpha s_i^{-(1+\alpha)} ds_i = \\ & C_\alpha^k h^{-k\alpha} \left[\prod_{i \in I} \Lambda(\mathbf{y}_i) \right] \int_{\mathbb{R}^k} I\left(\sum_{i \in I} s_i \mathbf{y}_i \in E_{\delta, -}\right) \prod_{i \in I} \alpha s_i^{-(1+\alpha)} ds_i. \end{aligned}$$

Summing over all $I \subseteq [m]$ with $|I| = k$, we get

$$\begin{aligned} & C_\alpha^k h^{-k\alpha} \sum_{I \subseteq [m]: |I|=k} \left[\left[\prod_{i \in I} \Lambda(\mathbf{y}_i) \right] \int_{\mathbb{R}^k} I\left(\sum_{i \in I} s_i \mathbf{y}_i \in E_{\delta, -}\right) \prod_{i \in I} \alpha s_i^{-(1+\alpha)} ds_i \right] \\ & = C_\alpha^k h^{-k\alpha} \int_{\mathbb{R}^k} \sum_{I \subseteq [m]: |I|=k} \left[\left[\prod_{i \in I} \Lambda(\mathbf{y}_i) \right] I\left(\sum_{i \in I} s_i \mathbf{y}_i \in E_{\delta, -}\right) \prod_{i \in I} \alpha s_i^{-(1+\alpha)} ds_i \right]. \end{aligned}$$

Now note that

- (i) each pair of points, $\pm \mathbf{y}_i$, $i = 1, 2, \dots, m$, is counted only once in the last equation and
- (ii) each set I of size k can be ordered exactly in $k!$ ways.

Using this, it follows that the previous equation is equal to

$$\begin{aligned} & \frac{C_\alpha^k h^{-k\alpha}}{2^k k!} \int_{\mathbb{R}^k} \Lambda^k \left(\left\{ \mathbf{x}_1, \dots, \mathbf{x}_k \in \mathbb{S}^{n-1} : \sum_{i=1}^k s_i \mathbf{x}_i \in E_{\delta, -} \right\} \right) \prod_{i=1}^k \alpha s_i^{-(1+\alpha)} ds_i = \\ & \frac{C_\alpha^k h^{-k\alpha}}{k!} \int_{\mathbb{R}_+^k} \Lambda^k \left(\left\{ \mathbf{x}_1, \dots, \mathbf{x}_k \in \mathbb{S}^{n-1} : \sum_{i=1}^k s_i \mathbf{x}_i \in E_{\delta, -} \right\} \right) \prod_{i=1}^k \alpha s_i^{-(1+\alpha)} ds_i \end{aligned}$$

and hence, by taking h to infinity and then δ to zero,

$$\begin{aligned} & \liminf_{h \rightarrow \infty} h^{k\alpha} P(X \in hE) \\ & \geq \lim_{\delta \rightarrow 0} \frac{C_\alpha^k}{k!} \int_{\mathbb{R}_+^k} \Lambda^k \left(\left\{ \mathbf{x}_1, \dots, \mathbf{x}_k \in \mathbb{S}^{n-1} : \sum_{i=1}^k s_i \mathbf{x}_i \in E_{\delta, -} \right\} \right) \prod_{i=1}^k \alpha s_i^{-(1+\alpha)} ds_i. \end{aligned}$$

Using the monotone convergence theorem, this implies in particular that

$$\liminf_{h \rightarrow \infty} h^{k\alpha} P(X \in hE) \geq I_1(E, k, \alpha)$$

and hence the lower bound in Theorem 1.1 holds. The proof of the upper bound is completely analogous, slightly easier and hence omitted here.

Step 2. It now remains only to show that the assumption on \bar{E} given in (9) can be removed. So we now assume that

$$\exists (s_1, \dots, s_m) \in \mathbb{R}^m : \sum_{i=1}^m s_i \hat{\mathbf{y}}_i \in \bar{E} \text{ and } |\{i \in [m] : s_i \neq 0\}| < k.$$

Then it is easy to see that the integral in (3) is infinite for every $\delta > 0$ and hence the upper bound holds without the assumption on \bar{E} .

We now show that the lower bound holds also without the assumption on \bar{E} . To this end, assume first that there is $\mathbf{t} := (t_1, \dots, t_m) \in \mathbb{R}^m$ such that

- (i) $\sum_{i=1}^m t_i \hat{\mathbf{y}}_i \in E^o$, and
- (ii) $|\{i \in [m] : t_i \neq 0\}| = \ell < k$.

Assume further that ℓ is the smallest integer for which such a point \mathbf{t} exists. Then, for all sufficiently small $\delta > 0$ we have that $\sum_{i=1}^m t_i \hat{\mathbf{y}}_i \in E_{\delta,-}$, and

$$\forall (t_1, \dots, t_m) \in \mathbb{R}^m : \sum_{i=1}^m t_i \hat{\mathbf{y}}_i \in \overline{E_{\delta,-}} \Rightarrow |\{i \in [m] : t_i \neq 0\}| \geq \ell.$$

Since by the first part of the proof, we have that

$$\liminf_{h \rightarrow \infty} h^{\ell\alpha} P(X \in hE) \geq \liminf_{h \rightarrow \infty} h^{\ell\alpha} P(X \in hE_{\delta,-}) = I_1(E_{\delta,-}, \ell, \alpha) > 0$$

it follows that

$$\liminf_{h \rightarrow \infty} h^{k\alpha} P(X \in hE) = \infty$$

and hence the lower bound is still valid in this case. If no such point \mathbf{t} exists, then we have that

$$\forall (t_1, \dots, t_m) \in \mathbb{R}^m : \sum_{i=1}^m t_i \hat{\mathbf{y}}_i \in E^o \Rightarrow |\{i \in [m] : t_i \neq 0\}| \geq k.$$

Using Step 1, this implies in particular that for all $\delta > 0$, we have that

$$\liminf_{h \rightarrow \infty} h^{k\alpha} P(X \in hE) \geq \liminf_{h \rightarrow \infty} h^{k\alpha} P(X \in hE_{\delta,-}) = I_1(E_{\delta,-}, k, \alpha).$$

Since $I_1(E_{\delta,-}, k, \alpha)$ is monotone in δ , the desired conclusion follows by applying the monotone convergence theorem. This concludes the proof. \square

Remark 3.1. We observe that we have shown that if there is a matrix $A = (\hat{\mathbf{y}}_1, \hat{\mathbf{y}}_2, \dots, \hat{\mathbf{y}}_m)$ such that $X \stackrel{D}{=} A(S_1, \dots, S_m)$, where $S_1, S_2, \dots, S_m \sim S_\alpha$ are i.i.d. (or equivalently that the spectral measure is finitely supported), then, for any set $E \subseteq \mathbb{R}^n$,

$$\begin{aligned} & \frac{1}{k!} \int_0^\infty \dots \int_0^\infty \Lambda^k \left(\left\{ \mathbf{x}_1, \dots, \mathbf{x}_k \in \mathbb{S}^{n-1} : \sum_{i=1}^k s_i \mathbf{x}_i \in E \right\} \right) \prod_{i=1}^k \alpha s_i^{-(1+\alpha)} ds_i \\ &= 2^{-k} \sum_{I \subseteq [m] : |I|=k} \int_{\mathbb{R}} \dots \int_{\mathbb{R}} I \left(\sum_{i \in I} s_i \hat{\mathbf{y}}_i \in E \right) \prod_{i=1}^k \alpha s_i^{-(1+\alpha)} ds_i. \end{aligned}$$

Remark 3.2. With only small adjustments of the proof above, the assumption that X is symmetric can be dropped. To do this, one replaces the matrix representation used above with the corresponding representation for when X is not symmetric (i.e. define A by $A(\cdot, i) = (\Lambda(\mathbf{y}_i))^{1/\alpha} \mathbf{y}_i$ and S_i is a so-called totally skewed α -stable random variable with scale one, and then adjust the proof accordingly. This is not as easy to do however when Λ is not finitely supported.

Remark 3.3. By Theorem 1(ii) in [3], any multivariate stable distribution $X \sim S_\alpha(\Lambda)$ can be approximated by a multivariate stable distribution $X_\varepsilon \sim S_\alpha(\Lambda_\varepsilon)$ which is such that

(i) Λ_ε is finitely supported, and

$$(ii) \quad \sup_{\substack{E: E \subseteq \mathbb{R}^n, \\ E \text{ is a Borel set}}} |P(X \in E) - P(X_\varepsilon \in E)| < \varepsilon.$$

Here Λ_ε is chosen by partitioning the unit sphere into a finite number of sets of small diameter, and then concentrating all the mass of Λ in each such set at an arbitrarily chosen point in the set.

This result, together with the proof for the finitely supported case, is however not sufficient to be able to make the same conclusion for any spectral measure. To see this, let E and Λ be as in Example 4.4, and let $\alpha \in (0, 1)$ so that Example 4.4 gives that $\lim_{h \rightarrow \infty} h^{2\alpha} P(X \in hE) \in (0, \infty)$. Then there are Λ_ε as above which are arbitrarily close to Λ but for which the corresponding limit is infinite by Theorem 1.1.

To be able to give the proof of Theorem 1.1 in the general setting, we will first need the following lemma. The special case $k = 2$ was stated in [11] (see Equation 1.4.8 on p. 27), but no proof is given there. A sketch of the proof of this particular case was provided in private correspondence with one of the authors.

Lemma 3.4. *Let $(W_i)_{i \geq 1}$ be a sequence of i.i.d. random variables with $0 \leq W_i \leq 1$, $(\varepsilon_i)_{i \geq 1}$ be a sequence of i.i.d. random variables with $\varepsilon_i \sim \text{unif}(\{-1, 1\})$ and $(\Gamma_i)_{i \geq 1}$ be the arrival times of a Poisson process with rate one where we assume that these three sequences are independent of each other. Next let $\alpha \in (0, 2)$, $k \geq 2$ be an integer and $\varepsilon \in (0, \min(\{\alpha, (k-1)(2-\alpha)\})$. Then*

$$\mathbb{E} \left[\left| \sum_{i=k}^{\infty} \varepsilon_i \Gamma_i^{-1/\alpha} W_i \right|^{(k-1)\alpha + \varepsilon} \right] < \infty.$$

Proof of Lemma 3.4. To simplify notation, write $\beta := (k-1)\alpha + \varepsilon$. We then need to show that

$$\mathbb{E} \left[\left| \sum_{i=k}^{\infty} \varepsilon_i \Gamma_i^{-1/\alpha} W_i \right|^\beta \right] < \infty.$$

To this end, note first that for any fixed $m \geq k$ we have that

$$\begin{aligned} \mathbb{E} \left[\left| \sum_{i=k}^m \varepsilon_i \Gamma_i^{-1/\alpha} W_i \right|^\beta \right] &\leq \mathbb{E} \left[\left[\sum_{i=k}^m \Gamma_i^{-1/\alpha} W_i \right]^\beta \right] \leq \mathbb{E} \left[\left[\sum_{i=k}^m \Gamma_i^{-1/\alpha} \right]^\beta \right] \\ &\leq \mathbb{E} \left[\left((m-k+1) \Gamma_k^{-1/\alpha} \right)^\beta \right] = (m-k+1)^\beta \mathbb{E} \left[\Gamma_k^{-\beta/\alpha} \right]. \end{aligned}$$

Since $k > \beta/\alpha$, we have that $\mathbb{E} \left[\Gamma_k^{-\beta/\alpha} \right] < \infty$, and hence

$$\mathbb{E} \left[\left| \sum_{i=k}^m \varepsilon_i \Gamma_i^{-1/\alpha} W_i \right|^\beta \right] < \infty \tag{11}$$

for any fixed $m \geq k$.

Now recall that for any real-valued random variables X and Y with $\mathbb{E}[|X|^\beta] < \infty$ and $\mathbb{E}[|Y|^\beta] < \infty$ we have that $\mathbb{E}[|X+Y|^\beta] < \infty$. Using (11), the conclusion of the lemma will thus follow if we can prove that

$$\mathbb{E}\left[\left|\sum_{i=m}^{\infty} \varepsilon_i \Gamma_i^{-1/\alpha} W_i\right|^\beta\right] < \infty$$

for some $m \geq k$. To this end, fix $m > \beta/\alpha \cdot k/(k-1)$. Then

$$\begin{aligned} \mathbb{E}\left[\left|\sum_{i=m}^{\infty} \varepsilon_i \Gamma_i^{-1/\alpha} W_i\right|^\beta\right] &= \mathbb{E}\left[\left[\left(\sum_{i=m}^{\infty} \varepsilon_i \Gamma_i^{-1/\alpha} W_i\right)^{2(k-1)}\right]^{\beta/(2(k-1))}\right] \\ &= \mathbb{E}\left[\mathbb{E}_{(\varepsilon_i)}\left[\left(\sum_{i=m}^{\infty} \varepsilon_i \Gamma_i^{-1/\alpha} W_i\right)^{2(k-1)}\right]^{\beta/(2(k-1))} \mid \sigma((W_i), (\Gamma_i))\right]. \end{aligned}$$

Since $\beta/(2(k-1)) = ((k-1)\alpha + \varepsilon)/(2(k-1)) < 1$ by the assumption on ε , we can apply Jensen's inequality to bound this expression from above by

$$\begin{aligned} &\mathbb{E}\left[\mathbb{E}_{(\varepsilon_i)}\left[\left(\sum_{i=m}^{\infty} \varepsilon_i \Gamma_i^{-1/\alpha} W_i\right)^{2(k-1)} \mid \sigma((W_i), (\Gamma_i))\right]^{\beta/(2(k-1))}\right] \\ &\leq \mathbb{E}\left[\left[(2(k-1))! \sum_{\substack{i_1, \dots, i_{k-1}: \\ m \leq i_1 \leq \dots \leq i_{k-1}}} \prod_{j=1}^{k-1} \Gamma_{i_j}^{-2/\alpha} W_{i_j}^2\right]^{\beta/(2(k-1))}\right]. \end{aligned}$$

Now we can again use the fact that $\beta/(2(k-1)) < 1$ and the so-called c_r -inequality (see e.g. Theorem 2.2 in [6]) to move this exponent into the summands to bound the previous expression from above by

$$\begin{aligned} &((2(k-1))!)^{\beta/(2(k-1))} \mathbb{E}\left[\sum_{\substack{i_1, \dots, i_{k-1}: \\ m \leq i_1 \leq \dots \leq i_{k-1}}} \Gamma_{i_j}^{-\beta/(\alpha(k-1))} W_{i_j}^{\beta/(k-1)}\right] \\ &= ((2(k-1))!)^{\beta/(2(k-1))} \sum_{\substack{i_1, \dots, i_{k-1}: \\ m \leq i_1 \leq \dots \leq i_{k-1}}} \mathbb{E}\left[\prod_{j=1}^{k-1} \Gamma_{i_j}^{-\beta/(\alpha(k-1))} W_{i_j}^{\beta/(k-1)}\right] \\ &\leq ((2(k-1))!)^{\beta/(2(k-1))} \sum_{\substack{i_1, \dots, i_{k-1}: \\ m \leq i_1 \leq \dots \leq i_{k-1}}} \mathbb{E}\left[\prod_{j=1}^{k-1} \Gamma_{i_j}^{-\beta/(\alpha(k-1))}\right]. \end{aligned}$$

In particular, this implies that it now only remains to show that

$$\sum_{\substack{i_1, \dots, i_{k-1}: \\ m \leq i_1 \leq \dots \leq i_{k-1}}} \mathbb{E}\left[\prod_{j=1}^{k-1} \Gamma_{i_j}^{-\beta/(\alpha(k-1))}\right] < \infty. \quad (12)$$

To do this, first fix $\gamma \in \mathbb{R}_+$. If $i \in \mathbb{Z}_+$, then $\mathbb{E}[\Gamma_i^{-\gamma}] < \infty$ if and only if $i > \gamma$. Moreover, for such i and γ we easily have that $\mathbb{E}[\Gamma_i^{-\gamma}] = \frac{\Gamma(i-\gamma)}{\Gamma(i)}$. By Stirling's formula, it follows that for a fixed γ we have that $\mathbb{E}[\Gamma_i^{-\gamma}] \sim i^{-\gamma}$ and hence $\mathbb{E}[\Gamma_i^{-\gamma}] < C_\gamma i^{-\gamma}$ for some constant $C_\gamma \geq 1$ and all $i > \gamma$.

Now assume that $1 \leq i_1 \leq \dots \leq i_{k-1}$ is a sequence of integers. Then for $j = 2, 3, \dots, k-1$ we have that $\Gamma_{i_j} \geq \Gamma_{i_1}$, and $\Gamma_{i_j} \geq \Gamma_{i_j} - \Gamma_{i_{j-1}}$. The random variables $\Gamma_{i_j} - \Gamma_{i_{j-1}}$ are independent and equal in distribution to $\Gamma_{i_j - i_{j-1}}$ if $i_j \neq i_{j-1}$ noting that $\Gamma_0 = 0$. Using this, it follows that for any fixed integer $M > 0$ we have that

$$\begin{aligned} \mathbb{E} \left[\prod_{j=1}^{k-1} \Gamma_{i_j}^{-\gamma} \right] &\leq \mathbb{E} \left[\Gamma_{i_1}^{-\gamma - \gamma \sum_{j \geq 2} \mathbf{1}(i_j - i_{j-1} < M)} \right] \cdot \prod_{\substack{j \geq 2: \\ i_j - i_{j-1} \geq M}}^{k-1} \mathbb{E} \left[\Gamma_{i_j - i_{j-1}}^{-\gamma} \right] \\ &\leq \mathbb{E} \left[\Gamma_{i_1}^{-\gamma} \cdot I(\Gamma_{i_1} \geq 1) + \Gamma_{i_1}^{-(k-1)\gamma} \cdot I(\Gamma_{i_1} < 1) \right] \cdot \prod_{\substack{j \geq 2: \\ i_j - i_{j-1} \geq M}}^{k-1} \mathbb{E} \left[\Gamma_{i_j - i_{j-1}}^{-\gamma} \right] \\ &\leq \mathbb{E} \left[\Gamma_{i_1}^{-\gamma} + \Gamma_{i_1}^{-(k-1)\gamma} \right] \cdot \prod_{\substack{j \geq 2: \\ i_j - i_{j-1} \geq M}}^{k-1} \mathbb{E} \left[\Gamma_{i_j - i_{j-1}}^{-\gamma} \right]. \end{aligned}$$

If $i_1 > (k-1)\gamma$ and $M > \gamma$, then, using the above, this is bounded from above by

$$(C_\gamma + C_{(k-1)\gamma}) \cdot i_1^{-\gamma} \cdot C_\gamma^{k-2} \prod_{\substack{j \geq 2: \\ i_j - i_{j-1} \geq M}}^{k-1} (i_j - i_{j-1})^{-\gamma}.$$

In particular, if we let $\gamma = \beta/(\alpha(k-1)) = (\alpha(k-1) + \varepsilon)/(\alpha(k-1)) > 1$ and $M = m$, then for $i_1 \geq m$ we have that

$$i_1 \geq m > \beta/\alpha \cdot k/(k-1) = k\gamma > (k-1)\gamma$$

and therefore, since $k \geq 2$, $M = m > \gamma$. Hence it follows that (12) is bounded from above by

$$(C_{\beta/(\alpha(k-1))} + C_{\beta/\alpha}) C_{\beta/(\alpha(k-1))}^{k-1} \sum_{\substack{i_1, \dots, i_{k-1}: \\ m \leq i_1 \leq \dots \leq i_{k-1}}} i_1^{-\beta/(\alpha(k-1))} \prod_{\substack{j \in \{2, 3, \dots, k-1\}: \\ i_j - i_{j-1} \geq m}} (i_j - i_{j-1})^{-\beta/(\alpha(k-1))}$$

This implies in particular that it only remains to show that

$$\sum_{\substack{i_1, \dots, i_{k-1}: \\ m \leq i_1 \leq \dots \leq i_{k-1}}} i_1^{-\beta/(\alpha(k-1))} \prod_{\substack{j \in \{2, 3, \dots, k-1\}: \\ i_j - i_{j-1} \geq m}} (i_j - i_{j-1})^{-\beta/(\alpha(k-1))} < \infty.$$

To see this, we first change the order of summation as follows. First, we will sum over all possible choices of i_1 . Then we sum over the number G of terms in the product, which will range between 0 and $k-2$. Finally, we sum also over the possible choices of $\ell_j := i_j - i_{j-1}$ in the product, which will range from m to infinity. To sum over all possible sequences $m \leq i_1 \leq \dots \leq i_{k-1}$, we find an upper bound on the number of ways to choose the differences $i_j - i_{j-1}$ which are smaller than m and also, on the number of ways to choose which of the differences are larger than or equal to m . The former of these quantities is clearly bounded from above by m^{k-2} , and the latter is equal to $\binom{k-2}{G} < 2^{k-2}$.

Putting these observations together, we get

$$\begin{aligned}
& \sum_{\substack{i_1, \dots, i_{k-1}: \\ m \leq i_1 \leq \dots \leq i_{k-1}}} \prod_{\substack{j \in \{2, 3, \dots, k-1\}: \\ i_j - i_{j-1} \geq m}} (i_j - i_{j-1})^{-\beta/(\alpha(k-1))} \\
& \leq (2m)^{k-2} \sum_{i_1=m}^{\infty} i_1^{-\beta/(\alpha(k-1))} \sum_{G=0}^{k-2} \sum_{\ell_1, \dots, \ell_G=m}^{\infty} \prod_{j=1}^G \ell_j^{-\beta/(\alpha(k-1))} \\
& = (2m)^{k-2} \sum_{i_1=m}^{\infty} i_1^{-\beta/(\alpha(k-1))} \sum_{G=0}^{k-2} \left(\sum_{\ell=m}^{\infty} \ell^{-\beta/(\alpha(k-1))} \right)^G \\
& = (2m)^{k-2} \sum_{G=1}^{k-1} \left(\sum_{\ell=m}^{\infty} \ell^{-\beta/(\alpha(k-1))} \right)^G.
\end{aligned}$$

Since $\beta/(\alpha(k-1)) = (\alpha(k-1) + \varepsilon)/(\alpha(k-1)) > 1$, the desired conclusion now follows. \square

We now state the following lemma which will be used in the proof of Theorem 1.1. For a proof of this lemma we refer the reader to [11].

Lemma 3.5 (Theorem 3.10.1 in [11]). *Let Λ be a symmetric spectral measure on \mathbb{S}^{n-1} . Furthermore, let C_α be defined by $P(Y \geq h) \sim C_\alpha h^{-\alpha}/2$ for $Y \sim S_\alpha$, let $(\Gamma_i)_{i \geq 1}$ be the arrival times of a rate one Poisson process and let $(\mathbf{W}_i)_{i \geq 1}$ be i.i.d., each with distribution $\bar{\Lambda} := \Lambda/\Lambda(\mathbb{S}^{n-1})$ (the normalized spectral measure), independent of the Poisson process. Then*

$$C_\alpha^{1/\alpha} \Lambda(\mathbb{S}^{n-1})^{1/\alpha} \sum_{i=1}^{\infty} \Gamma_i^{-1/\alpha} \mathbf{W}_i$$

converges almost surely to a random vector with distribution $S_\alpha(\Lambda)$.

We now give a proof of Theorem 1.1 using Lemmas 3.4 and 3.5.

Proof of Theorem 1.1. Let C_α , (Γ_i) and (\mathbf{W}_i) be as in Lemma 3.5. Define

$$X = (X_1, X_2, \dots, X_n) := C_\alpha^{1/\alpha} \Lambda(\mathbb{S}^{n-1})^{1/\alpha} \sum_{i=1}^{\infty} \Gamma_i^{-1/\alpha} \mathbf{W}_i.$$

Then Lemma 3.5 implies that X has distribution $S_\alpha(\Lambda)$. By Markov's inequality, for any $j = 1, 2, \dots, n$ and all $h > 0$ and $\varepsilon > 0$ we have that

$$\begin{aligned}
& P \left[\left(C_\alpha \Lambda(\mathbb{S}^{n-1}) \right)^{1/\alpha} \left| \sum_{i=k+1}^{\infty} \Gamma_i^{-1/\alpha} \mathbf{W}_i(j) \right| > h \right] \\
& \leq \frac{\mathbb{E} \left[\left(C_\alpha \Lambda(\mathbb{S}^{n-1}) \right)^{(k\alpha + \varepsilon)/\alpha} \left| \sum_{i=k+1}^{\infty} \Gamma_i^{-1/\alpha} \mathbf{W}_i(j) \right|^{k\alpha + \varepsilon} \right]}{h^{k\alpha + \varepsilon}}.
\end{aligned}$$

By picking ε sufficiently small and applying Lemma 3.4 using $k+1$ (noting that by symmetry, $W_i(j)$ has the same distribution as $\epsilon_i |W_i(j)|$ with the two factors

independent), it follows that

$$P\left[\left(C_\alpha\Lambda(\mathbb{S}^{n-1})\right)^{1/\alpha}\left|\sum_{i=k+1}^{\infty}\Gamma_i^{-1/\alpha}\mathbf{W}_i(j)\right|>h\right]\leq o(h^{-k\alpha})$$

and hence

$$P\left[\left(C_\alpha\Lambda(\mathbb{S}^{n-1})\right)^{1/\alpha}\left\|\sum_{i=k+1}^{\infty}\Gamma_i^{-1/\alpha}\mathbf{W}_i\right\|_{\infty}>h\right]\leq o(h^{-k\alpha}).$$

This implies in particular that for any $\varepsilon' > 0$

$$P\left[\left(C_\alpha\Lambda(\mathbb{S}^{n-1})\right)^{1/\alpha}\left\|\sum_{i=k+1}^{\infty}\Gamma_i^{-1/\alpha}\mathbf{W}_i\right\|_{\infty}>\varepsilon'h\right]\leq o(h^{-k\alpha}).$$

Now for any $\delta > 0$, let $E_{\delta,-} := \{\mathbf{x} \in E : d(x, \partial E) > \delta\}$. Setting $\delta := \sqrt{n}\varepsilon'$, we then have

$$\begin{aligned} &P((X_1, X_2, \dots, X_n) \in hE) \\ &= P\left[(X_1, X_2, \dots, X_n) \in hE, \left(C_\alpha\Lambda(\mathbb{S}^{n-1})\right)^{1/\alpha}\left\|\sum_{i=k+1}^{\infty}\Gamma_i^{-1/\alpha}\mathbf{W}_i\right\|_{\infty}<\varepsilon'h\right] + o(h^{-k\alpha}) \\ &\geq P\left[\left(C_\alpha\Lambda(\mathbb{S}^{n-1})\right)^{1/\alpha}\left(\Gamma_1^{-1/\alpha}\mathbf{W}_1 + \dots + \Gamma_k^{-1/\alpha}\mathbf{W}_k\right) \in hE_{\delta,-}, \right. \\ &\quad \left. \left(C_\alpha\Lambda(\mathbb{S}^{n-1})\right)^{1/\alpha}\left\|\sum_{i=k+1}^{\infty}\Gamma_i^{-1/\alpha}\mathbf{W}_i\right\|_{\infty}<\varepsilon'h\right] + o(h^{-k\alpha}) \\ &= P\left[\left(C_\alpha\Lambda(\mathbb{S}^{n-1})\right)^{1/\alpha}\left(\Gamma_1^{-1/\alpha}\mathbf{W}_1 + \dots + \Gamma_k^{-1/\alpha}\mathbf{W}_k\right) \in hE_{\delta,-}\right] + o(h^{-k\alpha}). \end{aligned} \tag{13}$$

Similarly, we have that

$$\begin{aligned} &P((X_1, X_2, \dots, X_n) \in hE) \\ &= P\left[(X_1, X_2, \dots, X_n) \in hE, \left(C_\alpha\Lambda(\mathbb{S}^{n-1})\right)^{1/\alpha}\left\|\sum_{i=k+1}^{\infty}\Gamma_i^{-1/\alpha}\mathbf{W}_i\right\|_{\infty}<\varepsilon'h\right] + o(h^{-k\alpha}) \\ &\leq P\left[\left(C_\alpha\Lambda(\mathbb{S}^{n-1})\right)^{1/\alpha}\left(\Gamma_1^{-1/\alpha}\mathbf{W}_1 + \dots + \Gamma_k^{-1/\alpha}\mathbf{W}_k\right) \in hE_{\delta,+}, \right. \\ &\quad \left. \left(C_\alpha\Lambda(\mathbb{S}^{n-1})\right)^{1/\alpha}\left\|\sum_{i=k+1}^{\infty}\Gamma_i^{-1/\alpha}\mathbf{W}_i\right\|_{\infty}<\varepsilon'h\right] + o(h^{-k\alpha}) \\ &\leq P\left[\left(C_\alpha\Lambda(\mathbb{S}^{n-1})\right)^{1/\alpha}\left(\Gamma_1^{-1/\alpha}\mathbf{W}_1 + \dots + \Gamma_k^{-1/\alpha}\mathbf{W}_k\right) \in hE_{\delta,+}\right] + o(h^{-k\alpha}). \end{aligned} \tag{14}$$

To be able to simplify these expressions, first recall that if $(\Gamma_1, \Gamma_2, \dots, \Gamma_{k+1})$ are the first $k+1$ arrivals of a mean one Poisson process and $U_1, U_2, \dots, U_k \sim \text{unif}(0, 1)$ are independent,

$$\{\Gamma_1/\Gamma_{k+1}, \dots, \Gamma_k/\Gamma_{k+1} \mid \Gamma_{k+1}\} \stackrel{d}{=} \{U_1, \dots, U_k\}.$$

Using this and now letting U_1, U_2, \dots, U_k be i.i.d. uniforms defined on the same probability space as everything else but independent of them, we see that for $E_{\delta, \cdot} = E_{\delta, +}$ or $E_{\delta, \cdot} = E_{\delta, -}$, we have that

$$\begin{aligned} & P \left[\left(C_\alpha \Lambda(\mathbb{S}^{n-1}) \right)^{1/\alpha} \sum_{i=1}^k \Gamma_i^{-1/\alpha} \mathbf{W}_i \in hE_{\delta, \cdot} \right] \\ &= P \left[\left(C_\alpha \Lambda(\mathbb{S}^{n-1}) \right)^{1/\alpha} \Gamma_{k+1}^{-1/\alpha} \sum_{i=1}^k U_i^{-1/\alpha} \mathbf{W}_i \in hE_{\delta, \cdot} \right] \\ &= \int_0^\infty \frac{x^k e^{-x}}{k!} \int_0^1 \cdots \int_0^1 \bar{\Lambda}^k \left(\left\{ (w_i)_{i=1}^k : x^{-1/\alpha} \sum_{i=1}^k \left(\frac{C_\alpha \Lambda(\mathbb{S}^{n-1})}{u_i} \right)^{1/\alpha} w_i \in hE_{\delta, \cdot} \right\} \right) \prod_{i=1}^k du_i dx. \end{aligned}$$

If, for each fixed x , we make the change of variables

$$s_i = x^{-1/\alpha} \left(\frac{C_\alpha \Lambda(\mathbb{S}^{n-1})}{h^\alpha u_i} \right)^{1/\alpha},$$

then this simplifies to

$$\begin{aligned} & \int_0^\infty \frac{e^{-x}}{k!} \left(C_\alpha \Lambda(\mathbb{S}^{n-1}) h^{-\alpha} \right)^k \int_0^\infty \cdots \int_0^\infty \bar{\Lambda}^k \left(\left\{ (w_i)_{i=1}^k : \sum_{i=1}^k s_i w_i \in E_{\delta, \cdot} \right\} \right) \\ & \quad \cdot I \left[\min_i s_i > \left(\frac{C_\alpha \Lambda(\mathbb{S}^{n-1})}{h^\alpha x} \right)^{1/\alpha} \right] \prod_{i=1}^k \alpha s_i^{-(1+\alpha)} ds_i dx \\ &= \frac{C_\alpha^k h^{-\alpha k}}{k!} \int_0^\infty \cdots \int_0^\infty \Lambda^k \left(\left\{ (w_i)_{i=1}^k : \sum_{i=1}^k s_i w_i \in E_{\delta, \cdot} \right\} \right) \left[\int_{\frac{C_\alpha \Lambda(\mathbb{S}^{n-1})}{h^\alpha \min_i s_i^\alpha}}^\infty e^{-x} dx \right] \prod_{i=1}^k \alpha s_i^{-(1+\alpha)} ds_i. \end{aligned}$$

Note that the integral above is increasing in h . Combining the previous equation with (13) and (14) and applying the monotone convergence theorem, it follows that for any $\delta > 0$,

$$\begin{aligned} & \frac{C_\alpha^k}{k!} \int_0^\infty \cdots \int_0^\infty \Lambda^k \left(\left\{ (w_i)_{i=1}^k : \sum_{i=1}^k s_i w_i \in E_{\delta, -} \right\} \right) \prod_{i=1}^k \alpha s_i^{-(1+\alpha)} ds_i \quad (15) \\ & \leq \liminf_{h \rightarrow \infty} h^{k\alpha} P((X_1, X_2, \dots, X_n) \in hE) \\ & \leq \limsup_{h \rightarrow \infty} h^{k\alpha} P((X_1, X_2, \dots, X_n) \in hE) \\ & \leq \frac{C_\alpha^k}{k!} \int_0^\infty \cdots \int_0^\infty \Lambda^k \left(\left\{ (w_i)_{i=1}^k : \sum_{i=1}^k s_i w_i \in E_{\delta, +} \right\} \right) \prod_{i=1}^k \alpha s_i^{-(1+\alpha)} ds_i. \end{aligned}$$

Noting that the integrand in (15) is monotone in δ and converges pointwise to the integrand in $I_1(E, k, \alpha)$, the desired conclusion follows by letting $\delta \rightarrow 0$ and applying the monotone convergence theorem. \square

4 Examples

We will now apply Theorem 1.1 to a few examples.

Example 4.1. Let $\alpha \in (0, 2)$ and let X_1 and X_2 be i.i.d. with $X_1 \sim S_\alpha$ and let $X = (X_1, X_2)$. The corresponding spectral measure Λ has four point masses each of weight 2^{-1} at $(1, 0)$, $(0, 1)$, $(-1, 0)$ and $(0, -1)$. With this example, we will consider three different sets E which will be our three different cases.

Case (i) Let $E = \{\mathbf{x} \in \mathbf{R}^2 : \mathbf{x}_1, \mathbf{x}_2 > 1\}$. Then it is easy to see that $I_1(E, 2) = I_3(E, 2)$ and furthermore this common value is

$$C_\alpha^2/2 \cdot 2 \int_0^\infty \int_0^\infty (2^{-1})^2 \cdot I(s_1, s_2 > 1) \cdot \alpha s_1^{-(1+\alpha)} \alpha s_2^{-(1+\alpha)} ds_1 ds_2 = C_\alpha^2 \cdot 2^{-2}.$$

Applying Theorem 1.1 with $k = 2$, we obtain

$$\lim_{h \rightarrow \infty} h^{2\alpha} P(X_1, X_2 > h) = C_\alpha^2 \cdot 2^{-2}$$

which is of course consistent with what independence yields.

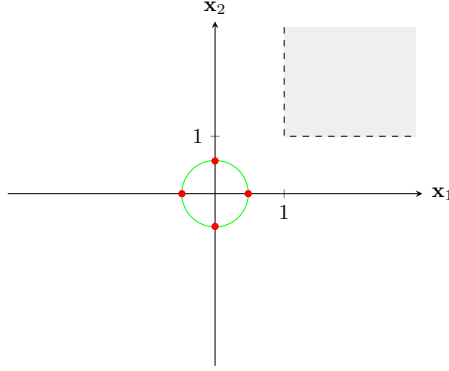


Figure 1: The figure above shows the set E (gray area) considered in Case (i) of Example 4.1 together with the four points (in red) at which Λ is supported.

Case (ii) Let $A \subseteq \mathbb{S}^1 \cap (\varepsilon, \infty)^2$ for some $\varepsilon > 0$ and define

$$C_A := \{\mathbf{x} \in \mathbb{R}^n : \|\mathbf{x}\|_2 > 1 \text{ and } \mathbf{x}/\|\mathbf{x}\|_2 \in A\}$$

be the cone above A . Then we have the following.

Proposition 4.2. Let X , A and C_A be as above, and assume that in addition to the above, the boundary of A has zero (one-dimensional) measure. Then

$$\lim_{h \rightarrow \infty} h^{2\alpha} P(X \in C_A) = \frac{C_\alpha^2}{8} \int_A \alpha (\cos \theta \sin \theta)^{-(1+\alpha)} d\theta$$

Proof. We begin with the following computation which is valid for any set A

contained in $\mathbb{S}^1 \cap (\varepsilon, \infty)^2$.

$$\begin{aligned}
& \frac{C_\alpha^2}{2} \int_0^\infty \int_0^\infty \Lambda^2(\mathbf{x}_1, \mathbf{x}_2 \in \mathbb{S}^1 : s_1 \mathbf{x}_1 + s_2 \mathbf{x}_2 \in C_A) \cdot \prod_{i=1}^2 \alpha s_i^{-(1+\alpha)} ds_i \\
&= C_\alpha^2 \int_0^\infty \int_0^\infty 2^{-2} \cdot I(s_1 \mathbf{e}_1 + s_2 \mathbf{e}_2 \in C_A) \cdot \prod_{i=1}^2 \alpha s_i^{-(1+\alpha)} ds_i \\
&= \frac{C_\alpha^2}{4} \int_{(s_1, s_2) \in C_A} \alpha^2 s_1^{-(1+\alpha)} s_2^{-(1+\alpha)} ds_1 ds_2 \\
&= \frac{C_\alpha^2}{4} \int_A \int_1^\infty \alpha^2 (r \cos \theta)^{-(1+\alpha)} (r \sin \theta)^{-(1+\alpha)} r dr d\theta \\
&= \frac{C_\alpha^2}{8} \int_A \alpha (\cos \theta \sin \theta)^{-(1+\alpha)} d\theta.
\end{aligned} \tag{16}$$

For any set U , letting U° be the interior of U , one easily checks that

$$(C_A)^\circ = C_{A^\circ} \text{ and } C_{\bar{A}} \subset \bar{C}_A \subset C_{\bar{A}} \cup \mathbb{S}^1$$

keeping in mind that the interiors and closures are with respect to different spaces, in one case \mathbb{R}^2 and in one case \mathbb{S}^1 . Therefore the above computation shows that

$$I_1(C_A, 2) = \frac{C_\alpha^2}{8} \int_{A^\circ} \alpha (\cos \theta \sin \theta)^{-(1+\alpha)} d\theta$$

and

$$I_2(C_A, 2) = \frac{C_\alpha^2}{8} \int_{\bar{A}} \alpha (\cos \theta \sin \theta)^{-(1+\alpha)} d\theta$$

where for the latter equation, we also used the fact that the \mathbb{S}^1 piece adds nothing to the relevant integral.

Now, using the fact the boundary of A has measure zero, we conclude that $I_1(C_A, 2) = I_2(C_A, 2)$. Since ε is fixed, it is easy to see that $I_\delta(C_A, 2)$ is finite for sufficiently small δ allowing us to conclude that $I_1(C_A, 2) = I_3(C_A, 2)$. Theorem 1.1 with $k = 2$ now yields the result. \square

Remark 4.3. This improves on (5) in this case since it yields the correct decay rate and demonstrates the hidden regular variation behavior. The former result would only give $\lim_{h \rightarrow \infty} h^\alpha P(X \in C_A) = 0$. Not surprisingly, when A is as large as possible with ε fixed, the integral tends to infinity as ε goes to 0; this is because we are getting closer to the support of the spectral measure.

Case (iii) This example, while fairly simple, has three different values arising in (4) when $k = 1$ and, in particular, Theorem 1.1 yields nonmatching upper and lower bounds. We let

$$E = \{\mathbf{x} \in \mathbb{R}^2 : \mathbf{x}_1 > 1, \mathbf{x}_2 < 0\}.$$

It is easy to check that for any $\alpha \in (0, 2)$, we have that $I_1(E, 1, \alpha) = 0$, $I_2(E, 1, \alpha) = I_3(E, 1, \alpha) = C_\alpha/2$ while using the independence of the components, it is immediate that the middle terms in (4) when $k = 1$ are $C_\alpha/4$.

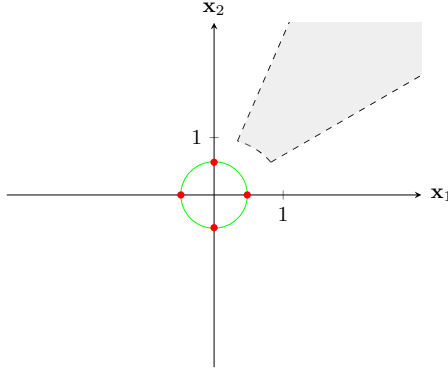


Figure 2: The figure above shows the set C_A (gray) considered in Case (ii) of Example 4.1, together with the four points (in red) at which Λ has support.

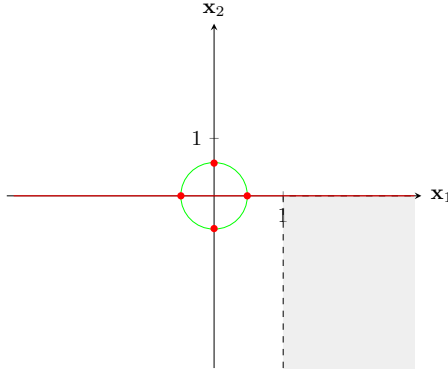


Figure 3: The figure above shows the set E (gray) considered in Case (iii) of Example 4.1 together with the four points (in red) at which Λ has support.

Our next example illustrates a number of interesting phenomena which we summarize in Proposition 4.5 after giving the example. This provides an example where (i) the decay rate has three possible behaviors depending on α , (ii) $I_1(E, k, \alpha) \neq I_3(E, k, \alpha)$ and (iii) where the tail behavior can drastically change due to a modification in the set E in an arbitrarily small neighborhood of one point, namely $(1, 1)$. It is also a “baby version” of the example following it which will be crucially used in [5].

Example 4.4. Let $\alpha \in (0, 2)$ and S_1 and S_2 be i.i.d. with distribution S_α and let

$$X = (1, 1)S_1 - (0, 1)S_2.$$

Then X is a symmetric α -stable random vector and the spectral measure Λ of X has mass $2^{\alpha/2}/2$ at $\pm(1, 1)/\sqrt{2}$ and mass $1/2$ at $\pm(0, 1)$. Let

$$E := \{\mathbf{x} \in \mathbb{R}^2 : \mathbf{x}_1 > 1, \mathbf{x}_2 < 1\}.$$

We mention that it is straightforward to show that for all α , $I_3(E, 1, \alpha) = 0$.

Proposition 4.5. *Let Λ , X and E be as above.*

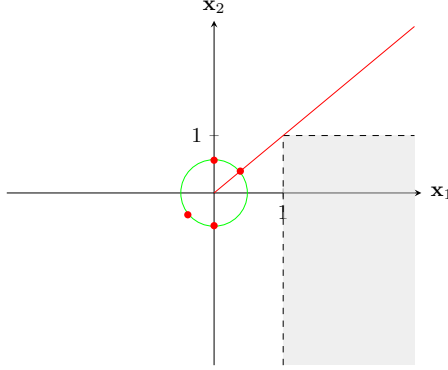


Figure 4: The figure above shows the set E (gray) considered in Example 4.4 together with the four points (in red) at which Λ has support.

(i) * For $\alpha < 1$,

$$\lim_{h \rightarrow \infty} h^{2\alpha} P(X \in hE) = \frac{C_\alpha^2 \alpha \Gamma(2\alpha) \Gamma(1-\alpha)}{4\Gamma(1+\alpha)} < \infty. \quad (17)$$

* For $\alpha = 1$,

$$\lim_{h \rightarrow \infty} \frac{h^2}{\log h} P(X \in hE) = \frac{C_1^2}{4}. \quad (18)$$

* For $\alpha > 1$,

$$\lim_{h \rightarrow \infty} h^{1+\alpha} P(X \in hE) = \frac{C_\alpha \alpha \mathbb{E}[|S_1|]}{4}. \quad (19)$$

(ii) For all $\alpha \in (0, 2)$, $I_3(E, 2, \alpha) = \infty$. Moreover, $I_1(E, 2, \alpha) = I_2(E, 2, \alpha)$ is equal to ∞ if $\alpha \in [1, 2)$ and is equal to $\frac{C_\alpha^2 \alpha \Gamma(2\alpha) \Gamma(1-\alpha)}{4\Gamma(1+\alpha)}$ if $\alpha \in (0, 1)$.

(iii) Let $B_\varepsilon := B_\infty((1, 1), \varepsilon)$ be the ball around $(1, 1)$ of radius ε in the L_∞ metric. For any $\varepsilon > 0$ and $\alpha \in (0, 1)$,

$$g^+(\alpha, \varepsilon) := I_1(E \cup B_\varepsilon, 1, \alpha) = I_3(E \cup B_\varepsilon, 1, \alpha) \in (0, \infty)$$

implying by Theorem 1.1 that

$$\lim_{h \rightarrow \infty} h^\alpha P(X \in h(E \cup B_\varepsilon)) = g^+(\alpha, \varepsilon)$$

and

$$g^-(\alpha, \varepsilon) := I_1(E \setminus B_\varepsilon, 2, \alpha) = I_3(E \setminus B_\varepsilon, 2, \alpha) \in (0, \infty)$$

implying by Theorem 1.1 that

$$\lim_{h \rightarrow \infty} h^{2\alpha} P(X \in h(E \setminus B_\varepsilon)) = g^-(\alpha, \varepsilon).$$

(iv) For all $\alpha \in (0, 2)$, $g^+(\alpha, \varepsilon)$ is increasing in ε with $\lim_{\varepsilon \rightarrow 0} g^+(\alpha, \varepsilon) = 0$ while $g^-(\alpha, \varepsilon)$ is decreasing in ε with $\lim_{\varepsilon \rightarrow 0} g^-(\alpha, \varepsilon) = \infty$ for $\alpha \in [1, 2)$ and $\frac{C_\alpha^2 \alpha \Gamma(2\alpha) \Gamma(1-\alpha)}{4\Gamma(1+\alpha)}$ for $\alpha \in (0, 1)$.

Proof. We only prove (i) and (ii). (iii) and (iv) are fairly straightforward and left to the reader. We start with the proof of (ii).

It is easy to see that $I_1(E, 2, \alpha) = I_2(E, 2, \alpha)$ and that their common value is

$$\begin{aligned}
& C_\alpha^2 \cdot 2^{\alpha/2}/2 \cdot 1/2 \cdot \int_{\sqrt{2}}^{\infty} \int_{(s_1/\sqrt{2})-1}^{\infty} \alpha^2 s_1^{-(1+\alpha)} s_2^{-(1+\alpha)} ds_2 ds_1 \\
&= \frac{C_\alpha^2}{4} \int_1^{\infty} \int_{t_1-1}^{\infty} \alpha^2 t_1^{-(1+\alpha)} s_2^{-(1+\alpha)} ds_2 dt_1 \\
&= \frac{C_\alpha^2}{4} \int_1^{\infty} \alpha t_1^{-(1+\alpha)} [-s_2^{-\alpha}]_{t_1-1}^{\infty} dt_1 \\
&= \frac{C_\alpha^2}{4} \int_1^{\infty} \alpha t_1^{-(1+\alpha)} (t_1 - 1)^{-\alpha} dt_1 \\
&= \frac{C_\alpha^2}{4} \int_0^1 \alpha x^{2\alpha-1} (1-x)^{-\alpha} dx.
\end{aligned}$$

This integral is easily verified to be infinite if and only if $\alpha \geq 1$ and strictly positive for all $\alpha \in (0, 1)$. Recognizing the integrand as the probability density function (up to a constant) of a Beta distribution with parameters 2α and $1 - \alpha$, we see that the last expression is equal to

$$\frac{C_\alpha^2 \alpha \Gamma(2\alpha) \Gamma(1 - \alpha)}{4\Gamma(1 + \alpha)}.$$

The fact that $I_3(E, 2, \alpha)$ is ∞ is seen by noting that for any fixed $\delta > 0$, the term

$$\Lambda^2(\mathbf{x}_1, \mathbf{x}_2 \in \mathbb{S}^1 : s_1 \mathbf{x}_1 + s_2 \mathbf{x}_2 \in E_{\delta,+})$$

is uniformly bounded away from 0 for arbitrarily small s_2 and hence the integral diverges. This finishes the proof of (ii).

We now move to (i). Since $X = (1, 1)S_1 - (0, 1)S_2$, we have

$$\{X \in hE\} = \{h < S_1 < h + S_2\}$$

and so for any α , we have

$$P(X \in hE) = \int_0^{\infty} f(t) P(h < S_1 < h + t) dt.$$

We now proceed with the $\alpha \in (0, 1)$ case. It is not hard to show that for every $\varepsilon > 0$,

$$I_1(E \setminus B_\varepsilon, 2, \alpha) = I_3(E \setminus B_\varepsilon, 2, \alpha) \in (0, \infty)$$

and hence by Theorem 1.1

$$\lim_{h \rightarrow \infty} h^{2\alpha} P(X \in h(E \setminus B_\varepsilon)) = I_1(E \setminus B_\varepsilon, 2, \alpha).$$

Letting $\varepsilon \rightarrow 0$, we can apply the monotone convergence theorem to both sides (using the fact that E is open) and conclude (17) as desired.

Now instead let $\alpha = 1$. It is not hard to show that for every $\varepsilon > 0$, by breaking up the following integral into $[0, h]$ and $[h, \infty)$ and using the fact that f is decreasing, we have

$$\frac{h^2}{\log h} P(X \in hE) = \frac{h^2}{\log h} \int_0^{\infty} f(t) P(h < S_1 < h + t) dt$$

$$\leq \frac{h^2}{\log h} \left[f(h) \int_0^h f(t)t dt + P(S_1 \geq h)^2 \right].$$

Noting that (7) implies the second term goes to 0 as $h \rightarrow \infty$ and the fact that that (8) easily implies that

$$\lim_{h \rightarrow \infty} \frac{\int_0^h f(t)t dt}{\log h} = C_1/2 \quad (20)$$

as well as applying (8) directly, we get

$$\limsup_{h \rightarrow \infty} \frac{h^2}{\log h} P(X \in hE) \leq \frac{C_1^2}{4}.$$

For the lower bound, we fix $\varepsilon > 0$, integrate only over $[0, \varepsilon h]$ and use f is decreasing to obtain

$$\frac{h^2}{\log h} P(X \in hE) \geq \frac{h^2}{\log h} f((1+\varepsilon)h) \int_0^{\varepsilon h} f(t)t dt.$$

Using (8) and (20), the limit of the last term is, as $h \rightarrow \infty$, equal to $C_1^2/4(1+\varepsilon)^2$. Hence for every $\varepsilon > 0$, we have

$$\liminf_{h \rightarrow \infty} \frac{h^2}{\log h} P(X \in hE) \geq \frac{C_1^2}{4(1+\varepsilon)^2}$$

and we can then let $\varepsilon \rightarrow 0$ to complete the proof.

Finally, we now do the case $\alpha \in (1, 2)$. Using the fact that f is decreasing and using (8), we have

$$\begin{aligned} P(X \in hE) &= \int_0^\infty f(t)P(h < S_1 < h+t) dt \leq f(h) \int_0^\infty f(t)t dt \quad (21) \\ &\sim \frac{C_\alpha \alpha \mathbb{E}[|S_1|]}{4} h^{-(1+\alpha)} \end{aligned}$$

establishing the upper bound in (19). For the lower bound, fixing $\varepsilon > 0$, we have

$$\begin{aligned} P(X \in hE) &= \int_0^\infty f(t)P(h < S_1 < h+t) dt \geq \int_0^{\varepsilon h} f(t)P(h < S_1 < h+t) dt \\ &\geq f(h(1+\varepsilon)) \int_0^{\varepsilon h} f(t)t dt \sim (1+\varepsilon)^{-(1+\alpha)} \frac{C_\alpha \alpha \mathbb{E}[|S_1|]}{4} h^{-(1+\alpha)}. \end{aligned} \quad (22)$$

It follows that

$$\liminf_{h \rightarrow \infty} h^{(1+\alpha)} P(X \in hE) \geq (1+\varepsilon)^{-(1+\alpha)} \frac{C_\alpha \alpha \mathbb{E}[|S_1|]}{4}.$$

One can now let $\varepsilon \rightarrow 0$, obtaining the lower bound in (19), completing the proof. \square

Remark 4.6. If X is as in our first example where we have independent components, one can construct a set, namely

$$E := \{\mathbf{x} \in \mathbb{R}^2: \mathbf{x}_1 > 1, \mathbf{x}_2 > a(\mathbf{x}_1 - 1)\}$$

for $a \in (0, 1)$, which exhibits similar behavior to that in the above proposition. However, the above example, when generalized to three variables, is what we need in another context and so we proceeded in this way.

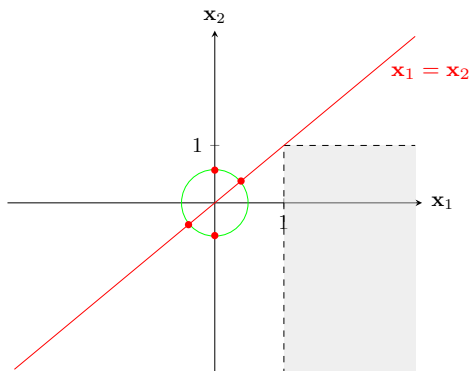


Figure 5: The figure above shows the set E (gray) considered in Example 4.4 together with the four points (in red) at which Λ has support.

Remark 4.7. With the previous result in mind, one might wonder if any threshold for events of the type $\{X \in hE\}$ will occur at $\alpha = 1$. To show that this is not the case, fix $\alpha \in (0, 2)$ and $\sigma > 0$, and define

$$E_\sigma := \{\mathbf{x} \in \mathbb{R}^2: 1 < \mathbf{x}_1 < 1 + \mathbf{x}_2^\sigma\}.$$

Further, let $S_1, S_2 \sim S_\alpha$ be i.i.d and consider the decay rate of $P(X \in hE_\sigma)$ as $h \rightarrow \infty$. Then, using a very similar argument to the argument in the proof of Proposition 4.5, one can show that we get a phase transition in the behavior of the decay rate of $P(X \in hE_\sigma)$ at $\alpha = \sigma$, and in fact

$$P(X \in hE_\sigma) \asymp \begin{cases} h^{-(\alpha+\sigma)} & \text{if } \alpha > \sigma \\ h^{-2\alpha} \log h & \text{if } \alpha = \sigma \\ h^{-2\alpha} & \text{if } \alpha < \sigma. \end{cases}$$

In our next, and final, example we study one of the simplest three-dimensional permutation invariant multivariate stable distributions, and show that it exhibits the same behavior as our previous example. Here we only study the case $\alpha \in (0, 1)$ in detail, but the cases $\alpha = 1$ and $\alpha > 1$ can be done similarly as in the the proof of Proposition 4.5.

Example 4.8. Let $\alpha \in (0, 2)$ and let S_0, S_1, S_2 and S_3 be i.i.d. with $S_0 \sim S_\alpha$. Furthermore, let $a \in (0, 1)$ and define X_1, X_2 and X_3 by

$$X_i := aS_0 + (1 - a^\alpha)^{1/\alpha} S_i, \quad i = 1, 2, 3.$$

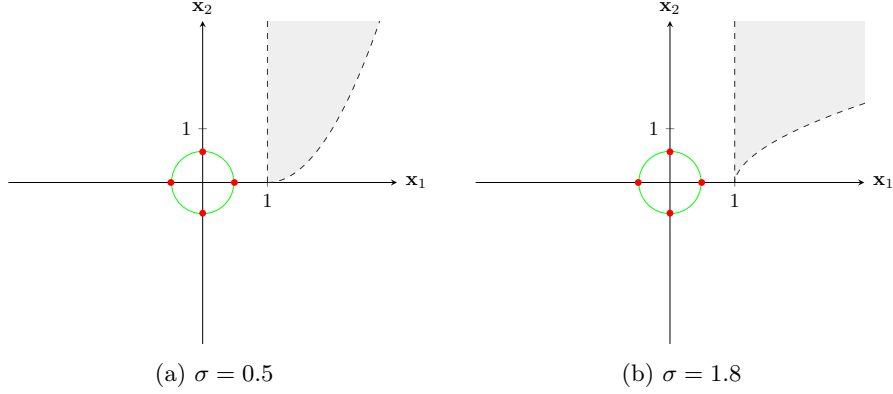


Figure 6: The figures above shows the set E_σ in Remark 4.7, for two different values of σ , together with the four points (in red) at which the spectral measure Λ from the same remark has support.

Clearly (X_1, X_2, X_3) is a three-dimensional symmetric α -stable random vector whose marginals are S_α . The corresponding spectral measure Λ has mass $a^\alpha 3^{\alpha/2}/2$ at $\pm(1, 1, 1)/\sqrt{3}$ and mass $(1 - a^\alpha)/2$ at $\pm e_i$ for $i = 1, 2, 3$. Consider the set

$$E := \{\mathbf{x} \in \mathbb{R}^3 : \mathbf{x}_1, \mathbf{x}_2 > 1, \mathbf{x}_3 < 1\}.$$

The proof of the following proposition follows the proof of Proposition 17 exactly, and therefore we only give a sketch of the proof here.

Proposition 4.9. *Let Λ , X and E be as above. Then for all $\alpha \in (0, 1)$, we have that*

$$\lim_{h \rightarrow \infty} h^{2\alpha} P(X \in hE) = \frac{C_\alpha^2}{4} \left((1 - a^\alpha)^2 + a^\alpha(1 - a^\alpha) \cdot \frac{\alpha \Gamma(2\alpha) \Gamma(1 - \alpha)}{\Gamma(1 + \alpha)} \right) < \infty. \quad (23)$$

Moreover, for all $\alpha \in (0, 2)$, $I_3(E, 2, \alpha) = \infty$, and $I_1(E, 2, \alpha) = I_2(E, 2, \alpha)$ is equal to ∞ if $\alpha \in [1, 2)$ and is equal to the right hand side of (23) if $\alpha \in (0, 1)$.

Proof sketch. It is easy to see that $I_1(E, 2, \alpha) = I_2(E, 2, \alpha)$ and that their common value is

$$\begin{aligned} & \Lambda(e_1)\Lambda(e_2) \cdot C_\alpha^2 \int_1^\infty \int_1^\infty \alpha^2 s_1^{-(1+\alpha)} s_2^{-(1+\alpha)} ds_1 ds_2 \\ & + \Lambda((1, 1, 1)/\sqrt{3})\Lambda(-e_3) \cdot C_\alpha^2 \int_{\sqrt{3}}^\infty \int_{(s_0/\sqrt{3})-1}^\infty \alpha^2 s_0^{-(1+\alpha)} s_3^{-(1+\alpha)} ds_3 ds_0 \\ & = \frac{C_\alpha^2}{4} \left((1 - a^\alpha)^2 + a^\alpha(1 - a^\alpha) \int_0^1 \alpha x^{2\alpha-1} (1-x)^{-\alpha} dx \right). \end{aligned}$$

The rest of the proof follows the lines of the proof of Proposition 17 exactly, and is hence omitted here. \square

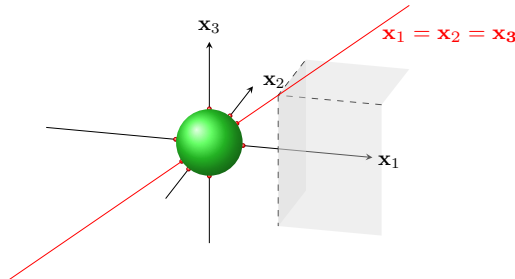


Figure 7: The figure above shows the set E (gray) considered in Example 4.8 together with the eight points (in red) at which Λ has support.

Acknowledgements

We thank Gennady Samorodnitsky for private correspondence and for elaborating on one of the proofs in [11]. We also thank Thomas Mikosch for informing us about the notion of hidden regular variation and its relationship to our work. The first author acknowledges support from the European Research Council, grant no. 682537. The second author acknowledges the support of the Swedish Research Council, grant no. 2016-03835 and the Knut and Alice Wallenberg Foundation, grant no. 2012.0067.

References

- [1] Aloisio Araujo and Evarist Giné, *The Central Limit Theorem for Real and Banach Valued Random Variables*, Wiley, NY (1980).
- [2] Nicholas H. Bingham, Charles M. Goldie and Jozef L. Teugels, *Regular variation*, Encyclopedia of Mathematics and its Applications, 27. Cambridge University Press, Cambridge (1987).
- [3] Tomasz Byczkowski, John P. Nolan and Balram Rajput, *Approximation of multidimensional stable densities*, Journal of Multivariate analysis, Vol. 46, pp. 13–31 (1993).
- [4] Hippolyte Fofack and John P. Nolan, *Tail Behavior, Modes and other Characteristics of Stable Distributions*, Extremes, Vol. 2, Issue 1, pp. 39–58 (1999).
- [5] Malin Palö Forsström and Jeffrey E. Steif, *Divide and color representations for threshold Gaussian and stable vectors*, in preparation.
- [6] Allan Gut, *Probability: a graduate course*, Second edition. Springer Texts in Statistics. Springer, New York, (2013).
- [7] Senji Hiraba, *Asymptotic estimates for densities of multi-dimensional stable distributions*, Tsukuba J. Math. Vol. 27, No. 2, pp. 261-287 (2003).

- [8] Thomas Mikosch and Olivier Wintenberger, *Extremes for Time Series*, book, in preparation.
- [9] Sidney Resnick, *Hidden regular variation, second order regular variation and asymptotic independence*, *Extremes* Vol. 5, no. 4, pp. 303–336 (2002).
- [10] Sidney Resnick, *Heavy-tail phenomena. Probabilistic and statistical modeling. Springer Series in Operations Research and Financial Engineering*, Springer, New York, 2007.
- [11] Gennady Samorodnitsky and Murad S. Taqqu, *Stable non-Gaussian random processes, Stochastic models with infinite variance*, Chapman & Hall, (1994).
- [12] Jeffrey E. Steif and Johan Tykesson, *Generalized divide and color models*, *ALEA. Latin American Journal of Probability and Mathematical Statistics*, Vol. 16, pp. 899-955 (2019).
- [13] Vladimir M. Zolotarev, *One-dimensional Stable Distributions*, Volume 65 of “Translations of mathematical monographs”, American Mathematical Society. Translation from the 1983 Russian edition.